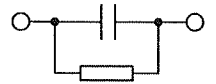


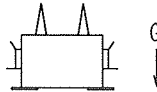
TYPE LV-6
 CODE
 CIRCUIT VOLTAGE 6900 VAC
 RATED VOLTAGE 4580 VAC
 RATED FREQ, PHASE 60 Hz SINGLE PHASE
 (T-T) (T-C)

SPEC, STANDARD JIS C 4902-1
 AMBIENT TEMP, -20 °C~+50 °C CONNECTION
 GROSS MASS kg
 PAINTING MUNSELL 5Y7/1
 INSULATION LEVEL 22/60 kV

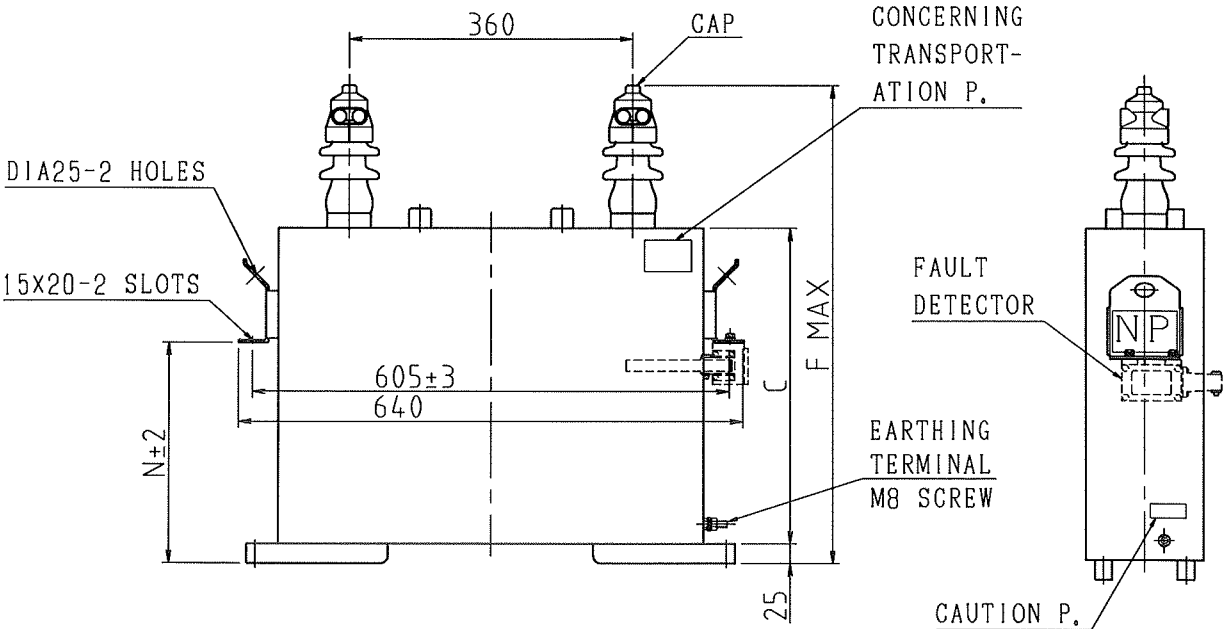
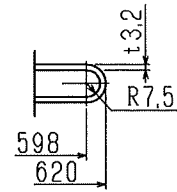
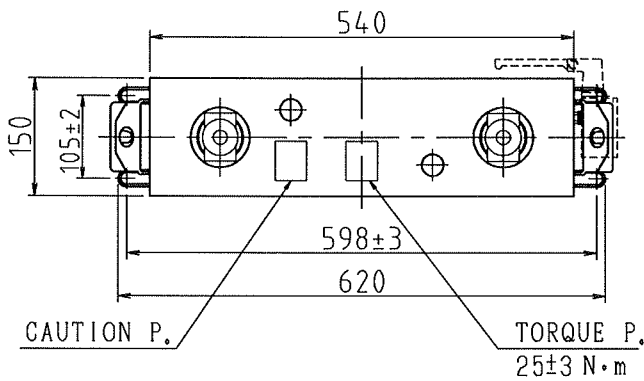
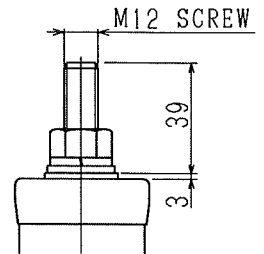


TEST VOLT, 9160 VAC(60 s) 22 kVAC(60 s)
 RATED OUTPUT, TOL kvar +10/-5 %
 DISCHARGE RESISTOR FITTED
 SERIES REACTOR L=13%

MOUNTING



DETAIL OF TERMINAL



CODE	RATED OUTPUT, (kvar)	DIMENSIONS (mm)			GROSS MASS (kg)
		C	F	N	
	134	340	550	220	44
	167	390	600	270	51
	197	430	640	270	55

株式会社指月電機製作所 SHIZUKI ELECTRIC CO., INC.

承認 APPROVED	照査 CHECKED	設計 DESIGNED

TITLE
 OUTLINE OF CAPACITOR
 DWG. NO.
 M-N16006-A1~A3

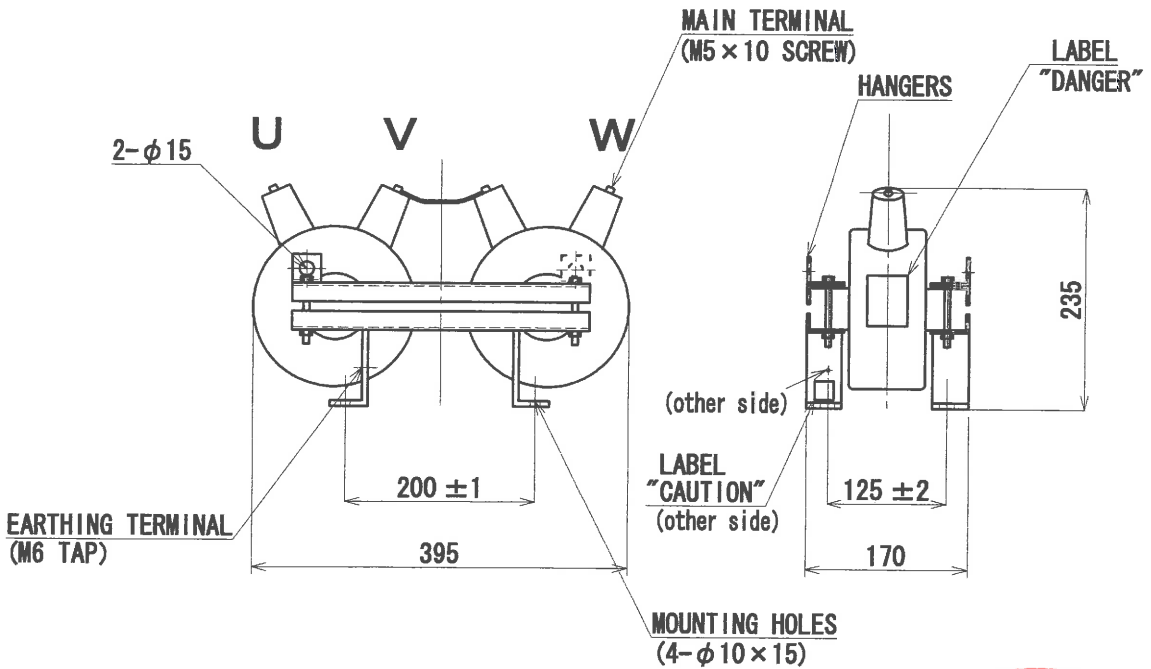
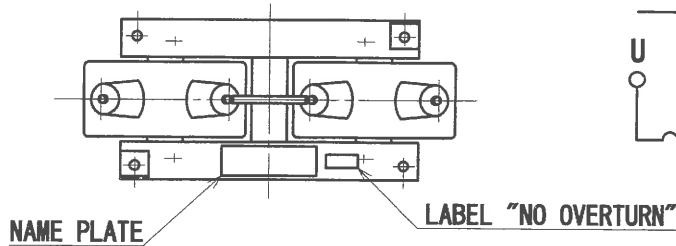
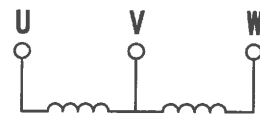
DISCHARGE COIL FOR POWER CAPACITOR

TYPE	DCM-B	No. OF PHASE	THREE
INSTALLATION	INDOOR	RATED FREQUENCY	50 / 60 Hz
TEMPERATURE CATEGORY	-20/B(-20°C to 50°C)	THERMAL CLASS	A
INSULATION LEVEL	22/60 kV	DISCHARGE CAPACITY	1000 kvar
CIRCUIT VOLTAGE	6900 V	GROSS MASS	19 kg
RATED VOLTAGE	6900 V	APPLICABLE STANDARDS	JIS C 4902-3

ITEM No.

DCM69CC10ENXXE

CONNECTION



Note(1) wire size 5.5~14mm²

Note(2) Terminal fastening Torque.
M5 screw 1.7 ~ 2.1 N·m

Note(3) Where to connect a discharge coil.
To connect a discharge coil to a capacitor with a series reactor, place the discharge coil at the power supply side of the series reactor. If placed at the capacitor side, the discharge coil will be subjected to a higher voltage, resulting in potential damage.



指定/寸法差	出図先	第3角法 3RD ANGLE PROJECTION	DIM. IN mm	尺度 SCALE NTS :	作成日 DATE Feb. 23. 2012	
67以下 30以下		承認 APPROVED	照査 CHECKED	設計 DESIGNED	作成 DRAWN	
30 " 120 "		TITLE OUTLINE OF DISCHARGE COIL FOR POWER CAPACITOR				DWG. NO.
120 " 400 "						NS-D57295-A
400 " 1000 "						
1000 "	NOTE 1	A. Tomaru of yomozuki of Hizen no H. Ikenaga				

改訂 REVISIONS

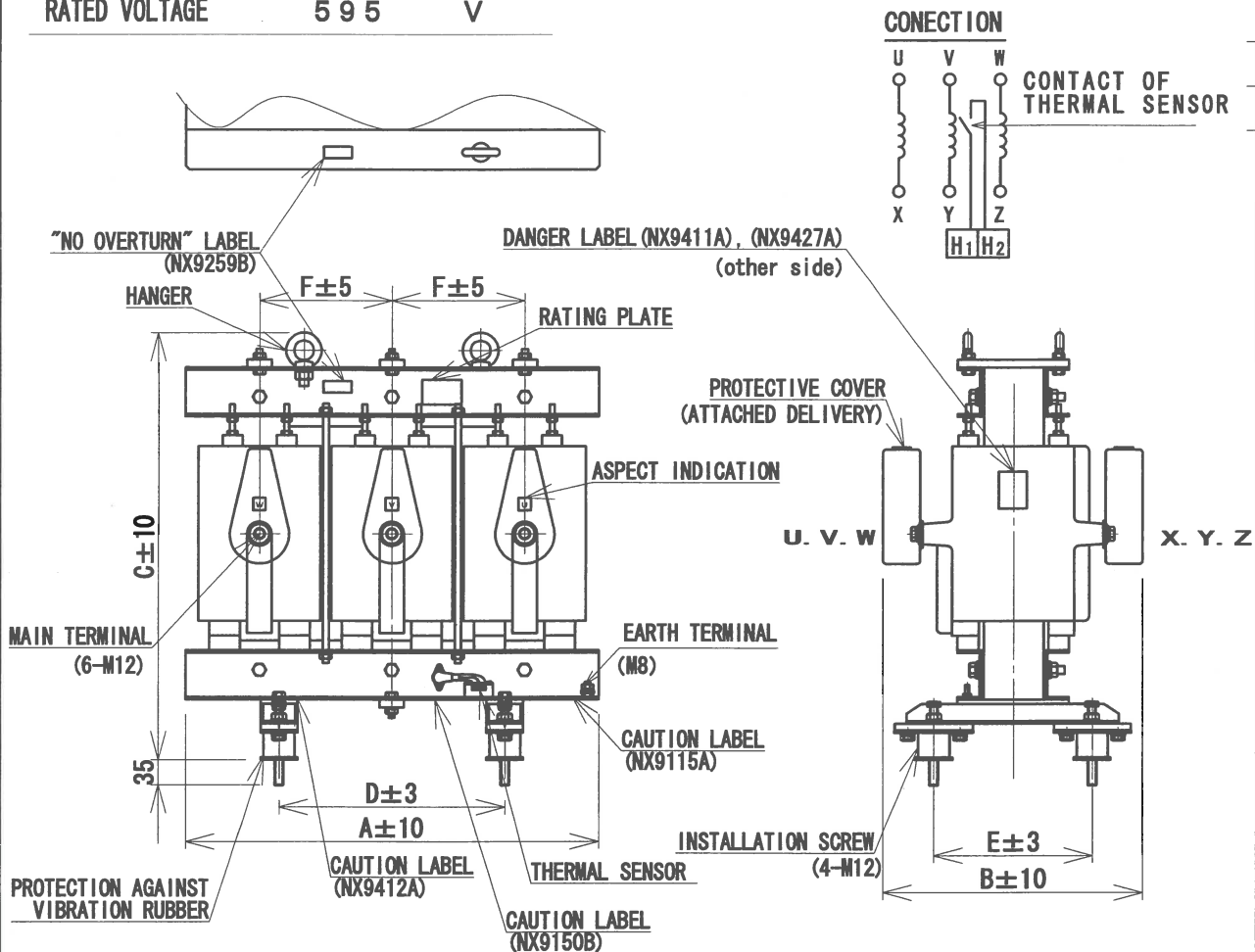
新規作成 ORIGINAL

APR. 22. 2016

A

SERIES REACTOR FOR POWER CAPACITOR

TYPE	LR-MB	No. OF PHASE	THREE
INSTALLATION	INDOOR	RATED FREQUENCY	60 Hz
TEMP. CLASS	-20/B	REACTANCE	13 %
INSULATION LEVEL	22/60 kV	THERMAL CLASS	F
CIRCUIT VOLTAGE	6900 V	STANDARD	JIS C 4902-2
RATED VOLTAGE	595 V		



RATINGS AND DIMENSIONS

No.	CAPACITOR (kvar)	OUTPUT CAPACITY (kvar)	RATED CAPACITY (kvar)	RATED CURRENT (A)	DIMENSIONS (mm)						GROSS MASS (kg)
					A	B	C	D	E	F	
1	350	402	52.3	29.3	840	450	850	460	320	270	450
2	436	501	65.1	36.5	840	450	850	460	320	270	450
3	514	591	76.8	43.0	890	500	930	500	360	290	550

- ※) The contact of thermal sensor must be connected to a trip circuit as the contact will be used for protection of a series reactor.
- ※) Contact of thermal sensor closed at pre-set temperature. (contact:A) 15A at 125V AC 0.2A at 125V DC
- ※) Thermal fastening Torque M12 screw 23~29 N·m
- ※) The reactor is provided with 13% reactance for connection with a matching capacitor.



I₅=35%

出図先 東京支店	1	第3角法 3RD ANGLE PROJECTION	DIM. IN mm	尺度 SCALE (NTS)	作成日 DATE APR. 22 2016	株式会社 指月電機製作所 SHIZUKI ELECTRIC CO., INC.
承認 APPROVED	照査 CHECKED	設計 DESIGNED	作成 DRAWN	TITLE OUT LINE OF SERIES REACTOR		
計	1					DWG. NO. NS-D617504-A